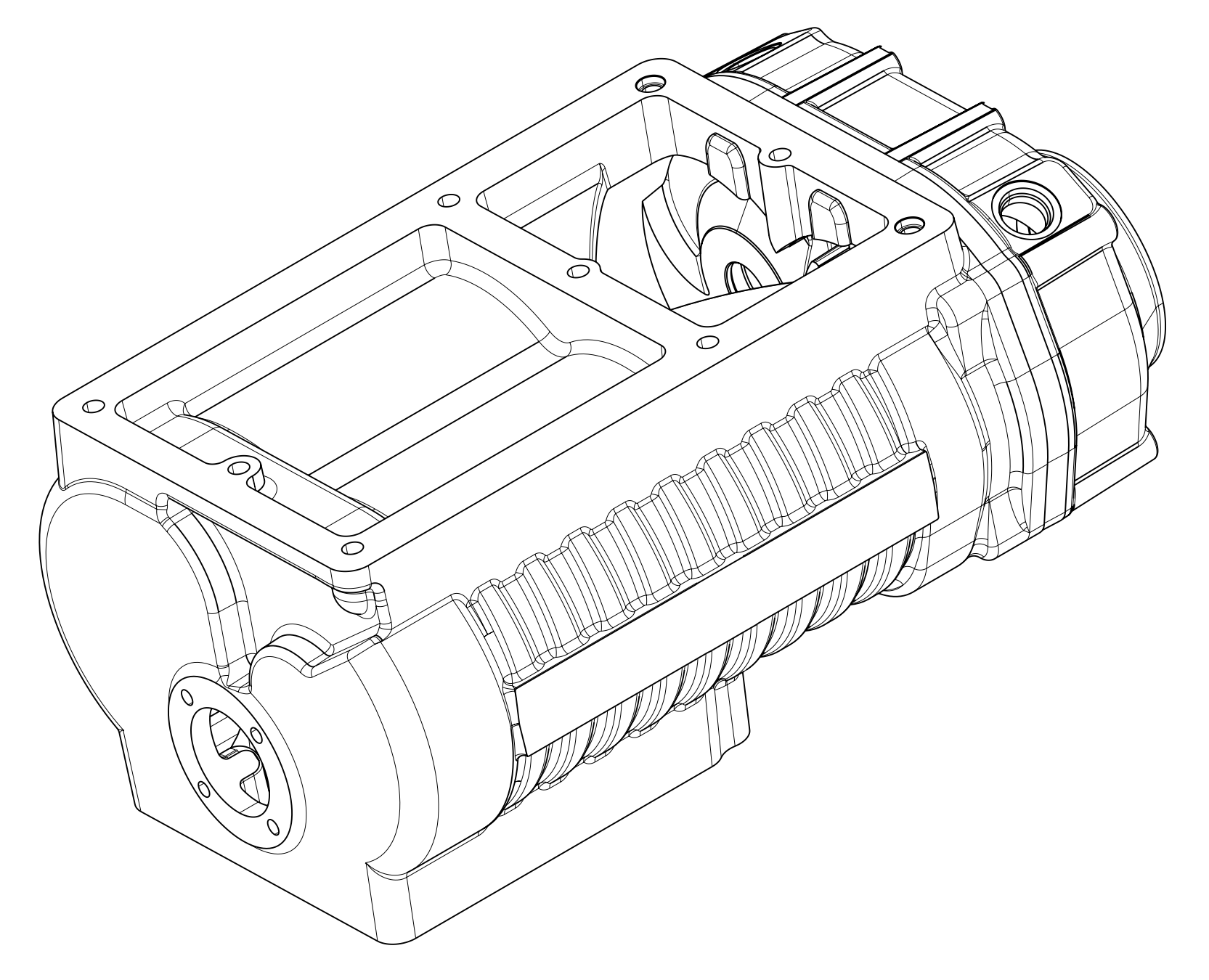
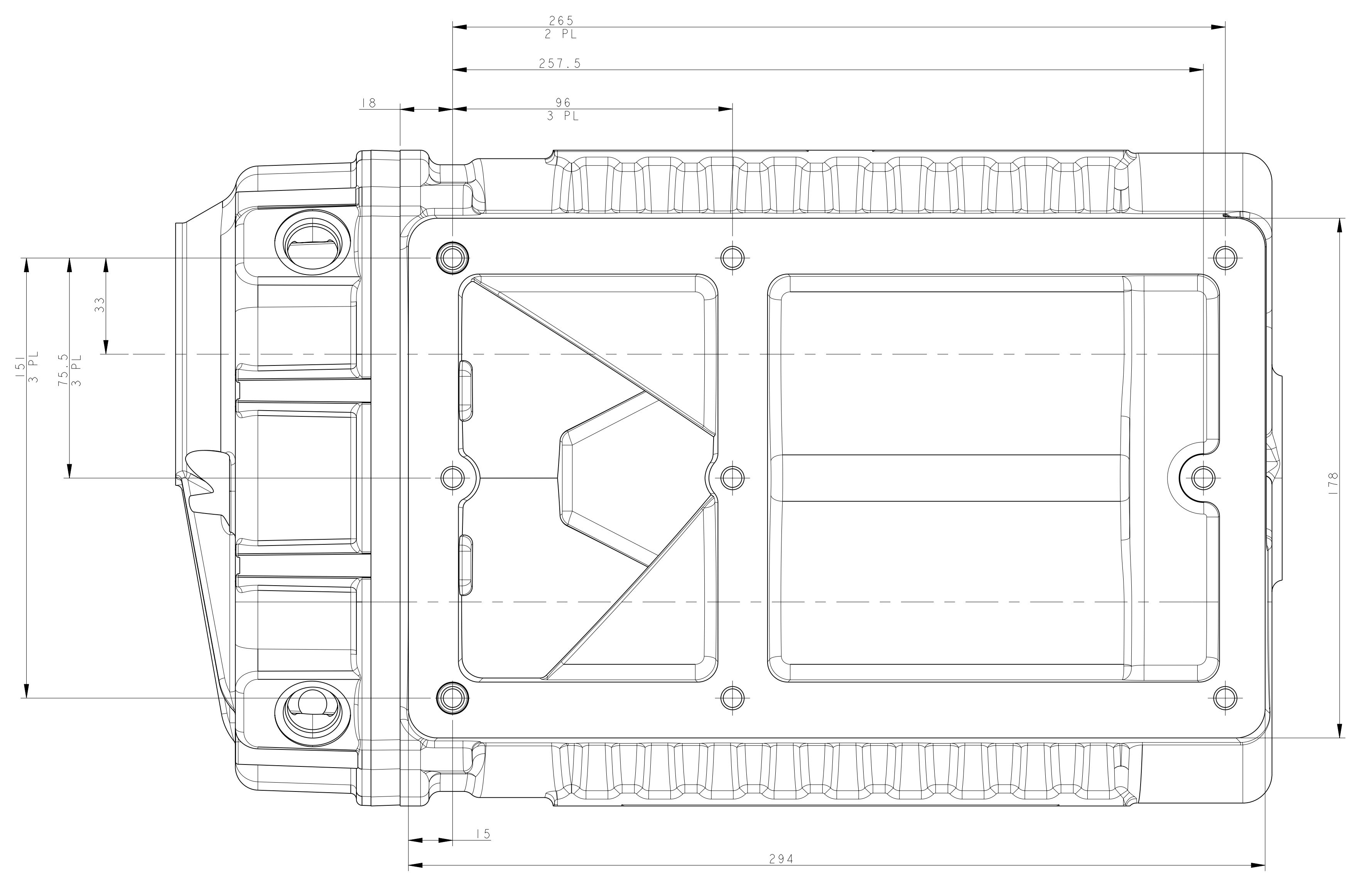
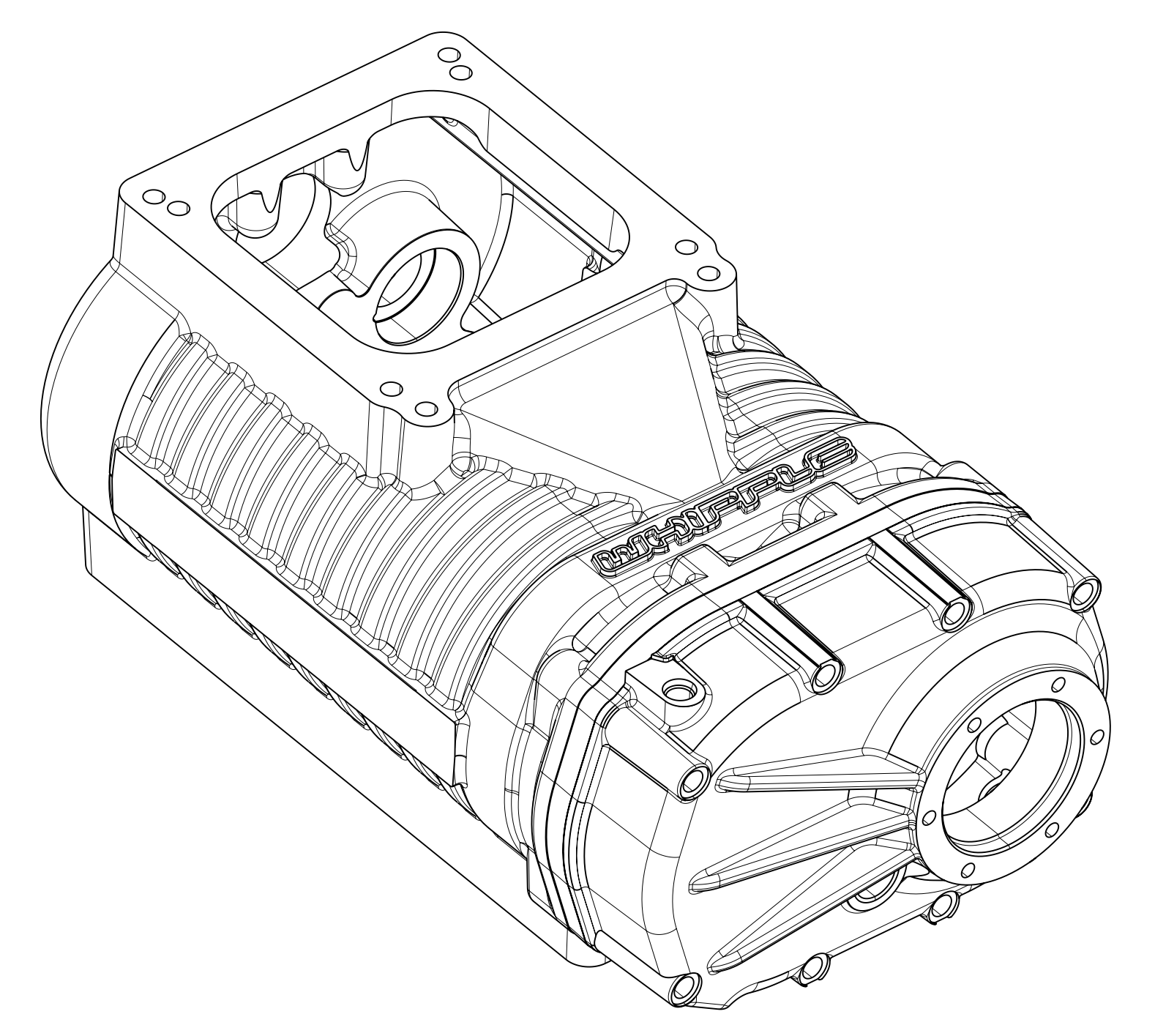
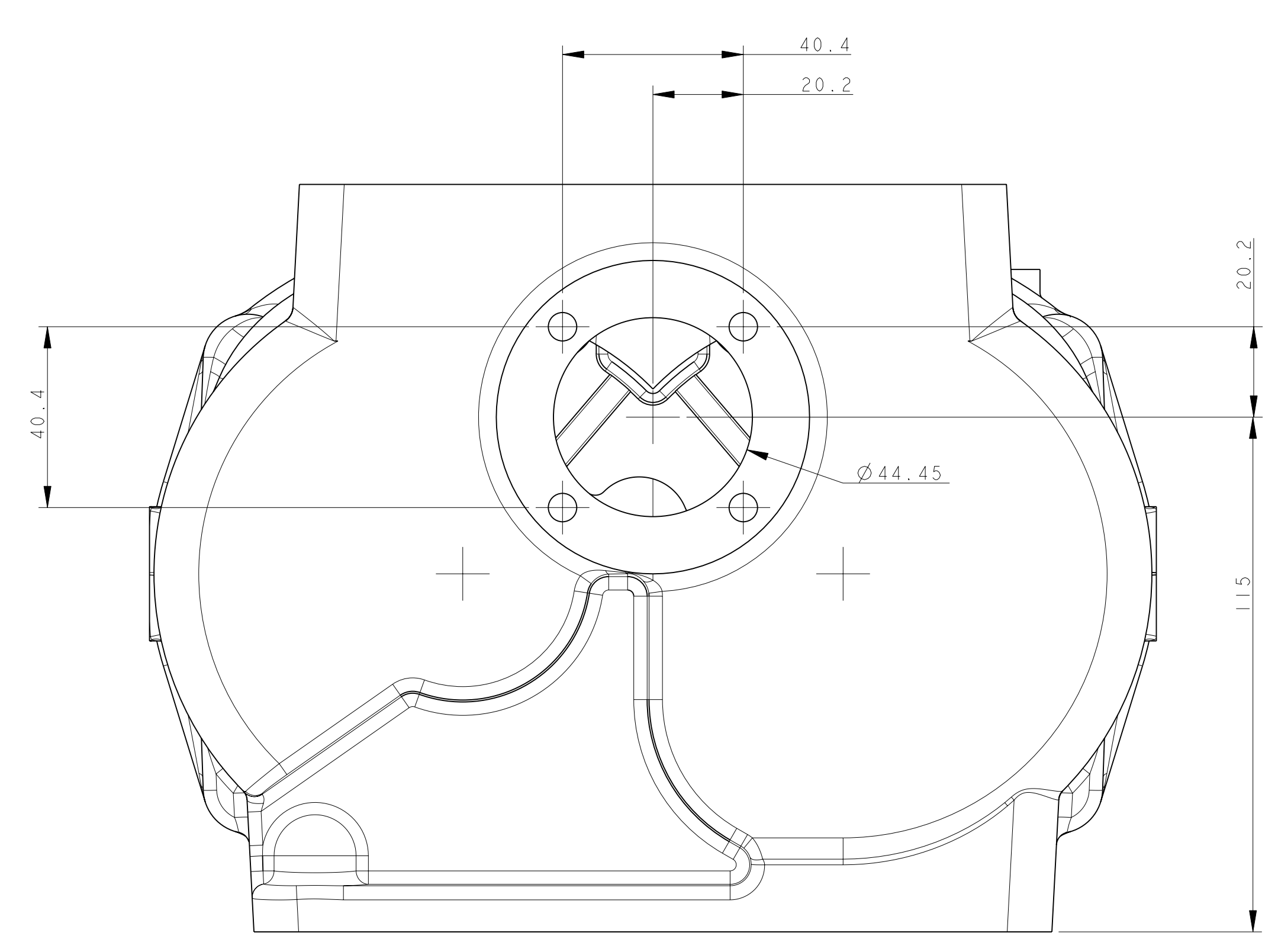
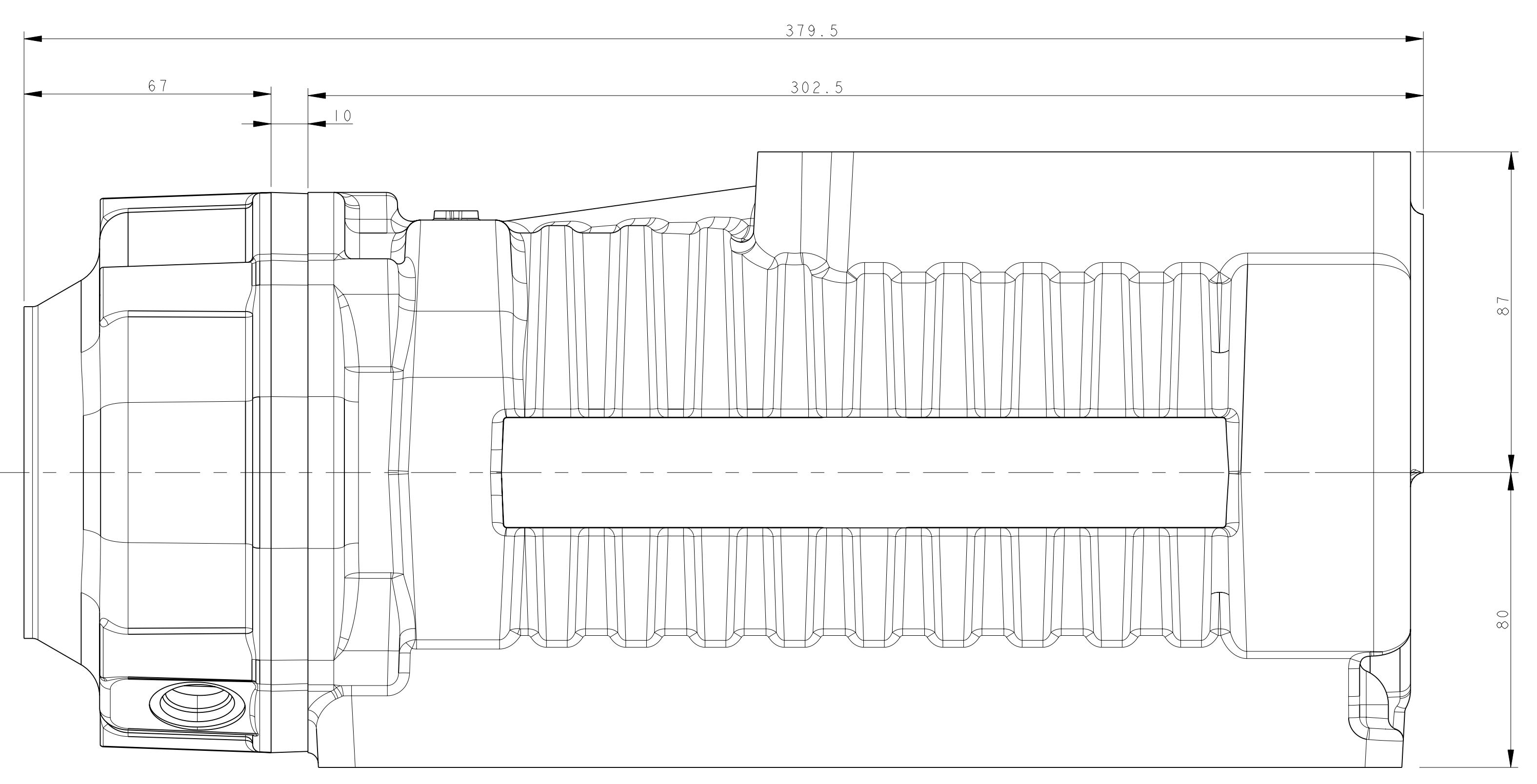
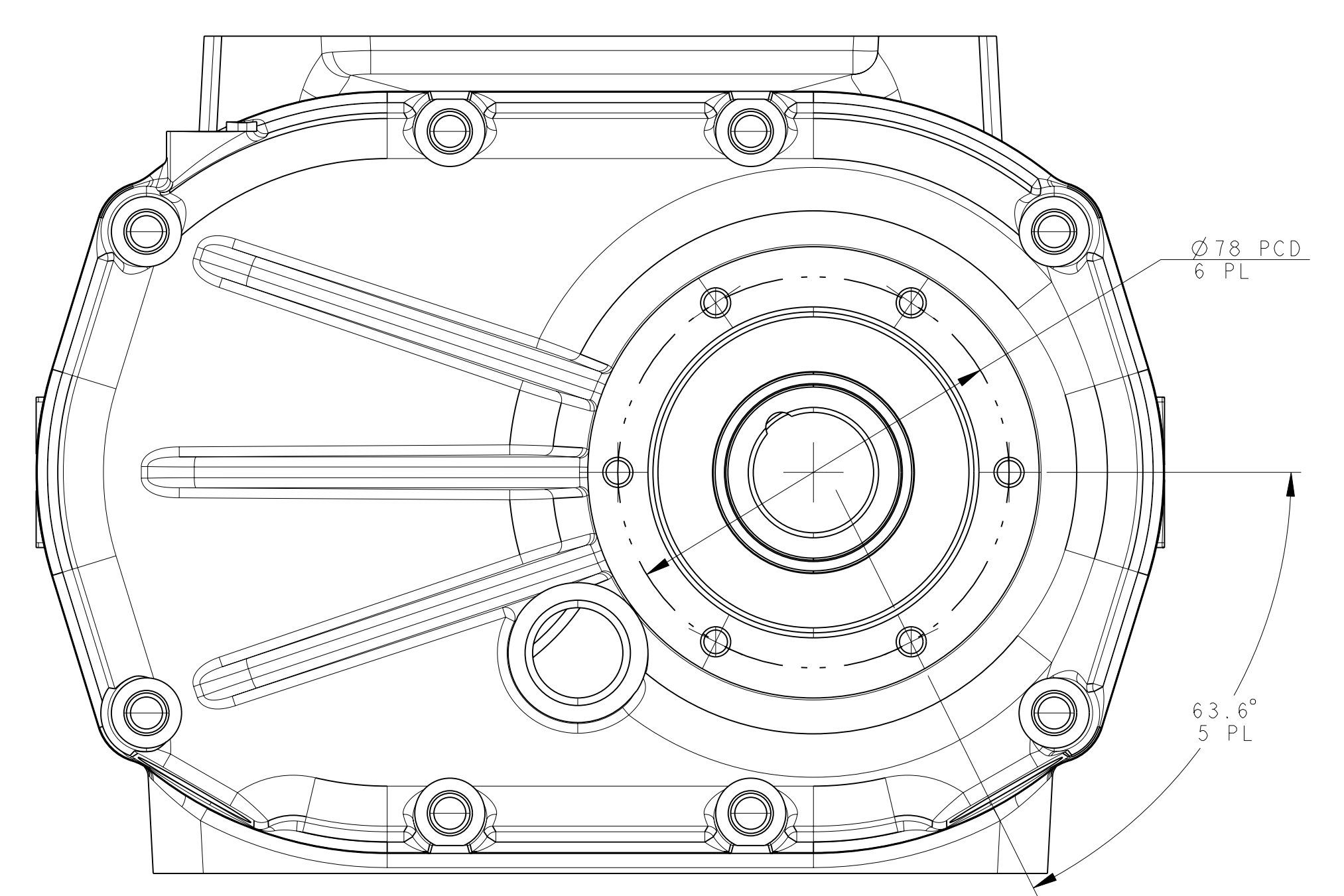
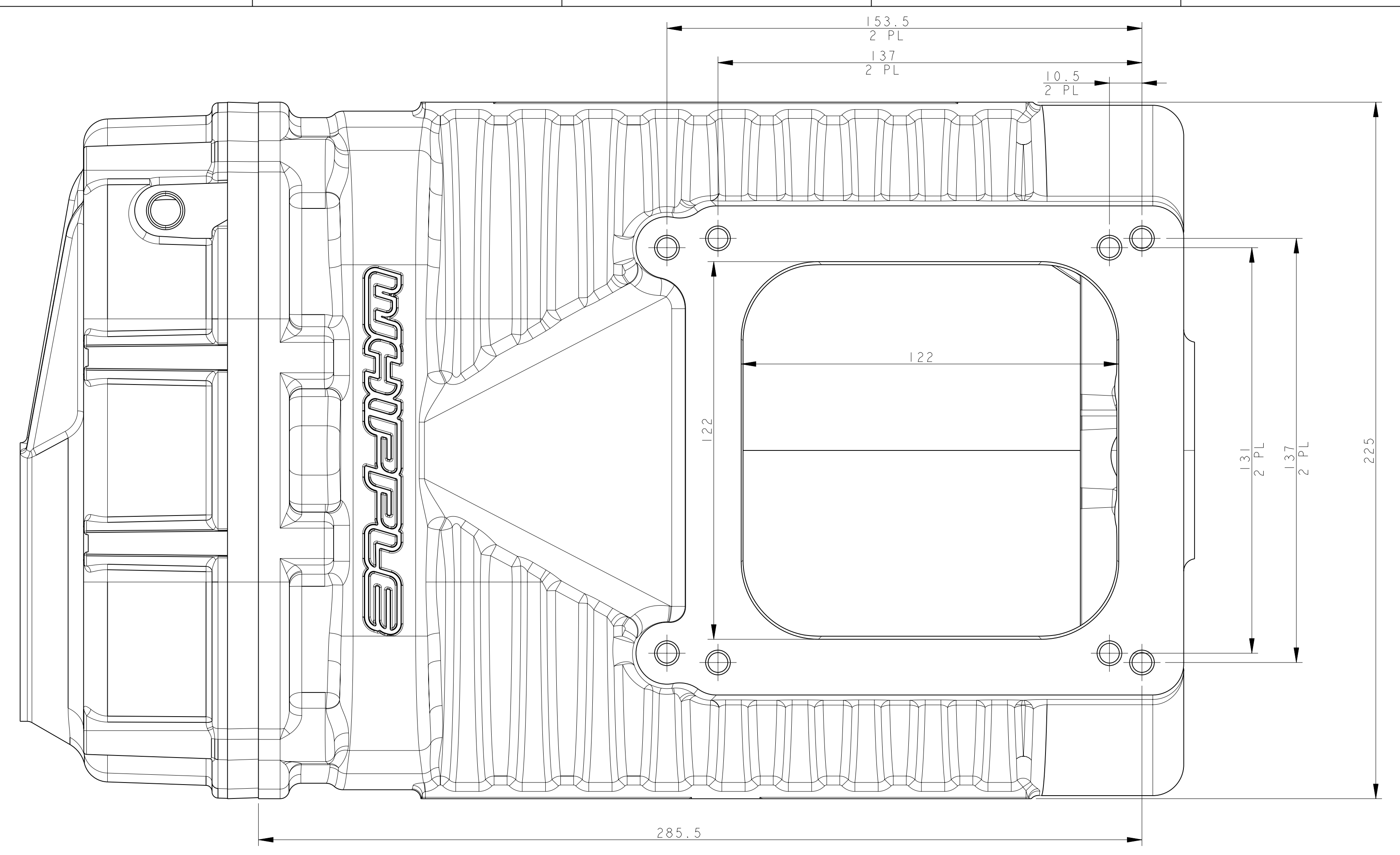


REVISJONS		REV. NO.	REVISIONS	DATE	BY	APP. NO.



SURFACE FINISH (µm)		TOLERANCE		TOLERANCE		TOLERANCE		TOLERANCE		TOLERANCE		TOLERANCE		TOLERANCE		TOLERANCE		TOLERANCE		TOLERANCE	
Rz	12.5	12.5	12.5	12.5	12.5	12.5	12.5	12.5	12.5	12.5	12.5	12.5	12.5	12.5	12.5	12.5	12.5	12.5	12.5	12.5	12.5
Rz	12.5	12.5	12.5	12.5	12.5	12.5	12.5	12.5	12.5	12.5	12.5	12.5	12.5	12.5	12.5	12.5	12.5	12.5	12.5	12.5	12.5

THIRD ANGLE PROJECTION

UNLESS OTHERWISE SPECIFIED:
 1. DIMENSIONS ARE IN MILLIMETERS.
 2. DIMENSIONS IN PARENTHESES ARE FOR INFORMATION.
 3. DIMENSIONS APPLY AFTER FINISHING.
 4. DIMENSIONS ARE TO CENTER UNLESS OTHERWISE SPECIFIED.

OPEN TOLERANCES:
 + 0.05mm -0.05mm R 0.15
 + 0.10mm -0.10mm R 0.25
 + 0.20mm -0.20mm R 0.5
 + 0.50mm -0.50mm R 1.0
 + 1.00mm -1.00mm R 2.0

ANGLES: ± 0.5 DEG

FINISH: *** 022000

MATERIAL: ALUMINUM
TREATMENT: ANODIZED

AFTER SURFACE PREPARATION:
 1. LASKER MECHANICAL
 2. STAMP, FACE WORK
 3. METAL TAG, STICKER
 4. POLYURETHANE

DATE: 07/26/08
DATE: 07/26/08
DATE: 07/26/08

DRAWN BY: J. HOFMAN
DATE: 07/26/08

TITLE: SUPERCHARGER W200R
WHIPPLE SUPERCHARGERS

DRAWING NO.: WHIPPLE_W200R_100

SCALE: 1:0

SHEET: 1 OF 1