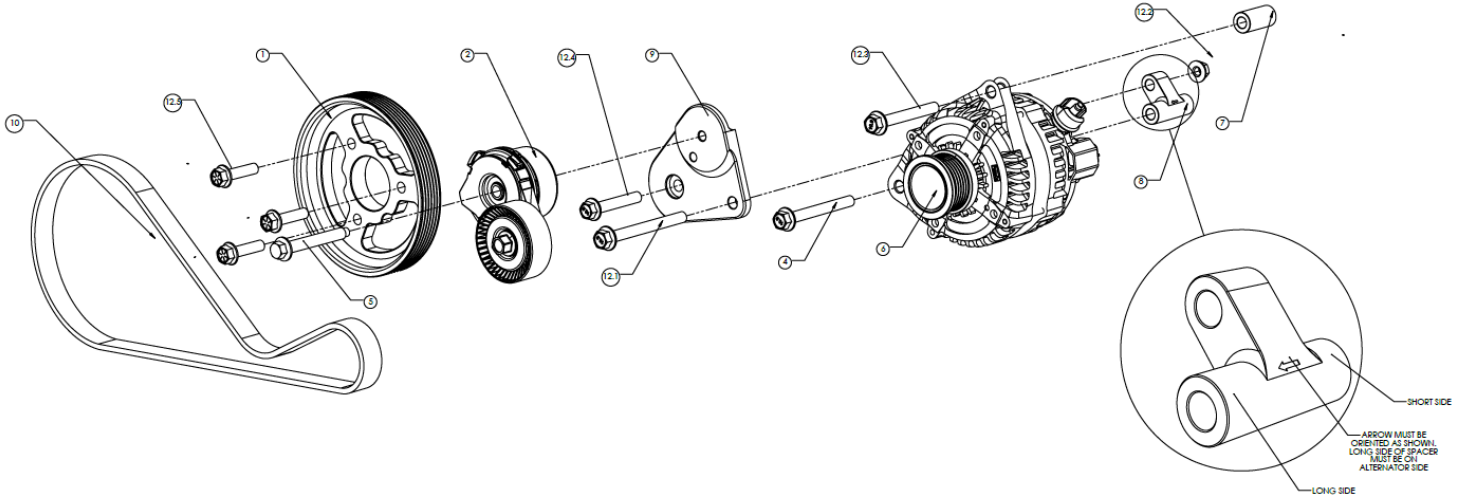


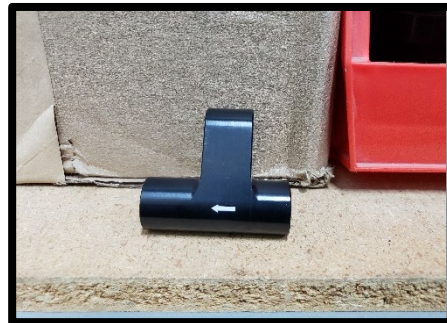


ALTERNATOR RELOCATION KIT INSTALLATION MANUAL

2011 AND UP FORD 5.0L-5.2L MUSTANG ENGINES

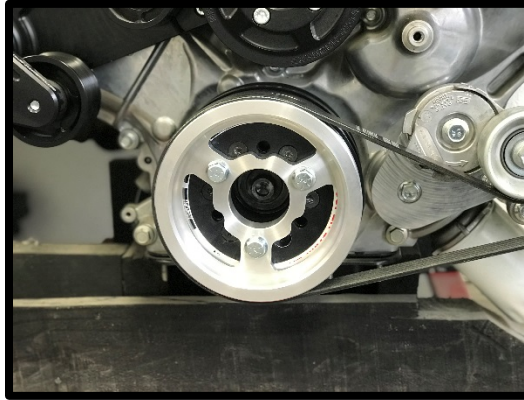


ITEM NO.	DESCRIPTION	QTY.
1	2015-2018 ATI 20% CRANK - ALTERNATOR PULLEY	1
2	STOCK TENSIONER - NOT INCLUDED	1
4	ALTERNATOR BOLT - NOT INCLUDED	1
5	TENSIONER BOLT - NOT INCLUDED	1
6	ALTERNATOR - NOT INCLUDED	1
7	2015-2018 5.0 ALT S-STAND OFF	1
8	2015-2018 5.0 ALT T-STAND OFF	1
9	2015-2018 5.0 ALT TENSIONER PLATE	1
10	K060400 MICRO-V BELT CQBR	1
12	2018COYO-BOLT4017	1
12.1	M10 X 1.5 X 100 HHFCS 10.9 ZP	1
12.2	M10 X 1.5 HHF NUT CL 10 ZP	1
12.3	M10 X 1.5 X 80 HHFCS 10.9 ZP	1
12.4	M10 X 1.5 X 60 HHFCS 10.9 ZP	1
12.5	3/8 - 16 X 1.5 HHFCS GRADE 8 ZP	3

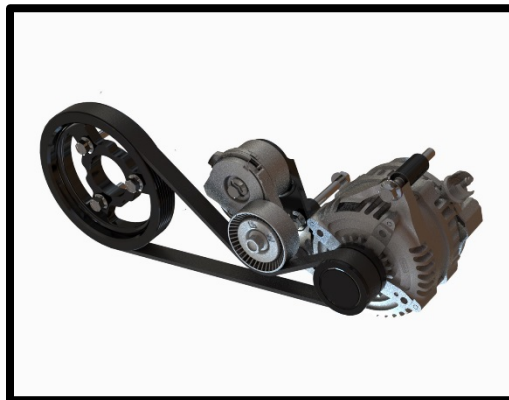


1. Disconnect the (-) negative terminal from the battery. Disconnect the power wire and electrical connector from alternator.
2. Drain the engine coolant from the engine using passenger side petcock on radiator. Once drained, remove the radiator to thermostat housing hose from engine. NOTE: S550 must remove plastic clamp to remove hose from 4-way branch.
3. **(S197 11-14)** Rotate the radiator to thermostat housing hose from its original position and reinstall using factory hardware.
4. **(2015+ S550)** Install the supplied silicone hose to the thermostat housing and 4-way branch. Secure thermostat housing side with stock constant tension clamp. Secure to branch using supplied worm clamp.
5. Using a 1/2" breaker bar, release tension from tensioner and remove belt. If using the Whipple adjustable idler bracket, remove from factory tensioner position.
6. S550 models are required to remove the front sway bar for proper clearance.

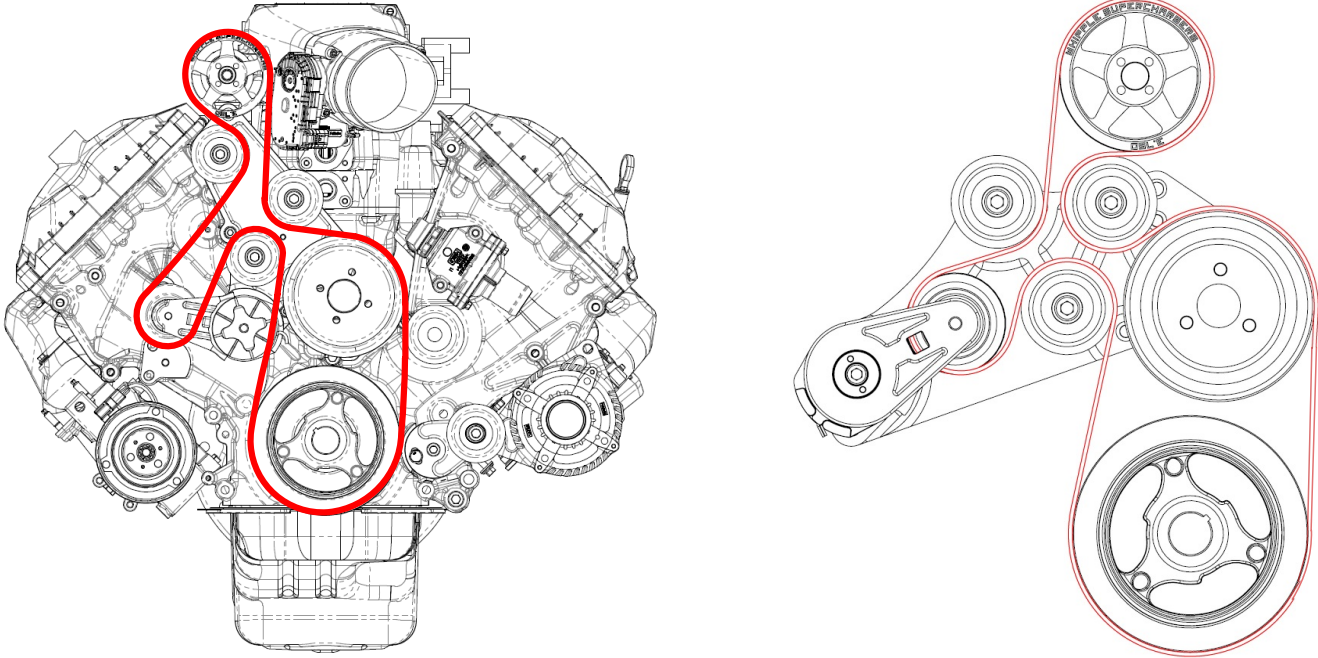
- Using a 12-point 3/8" socket, remove 3 short bolts (not the long) of the 12-point balancer bolts. Install the new Whipple supplied 6-rib crank pulley using the supplied (3) 3/8" x 1 1/2" HHFCS. Torque to 28 lb-ft.



- Using a 15mm deep socket, remove the (2) factory fasteners securing alternator to the engine block.
- Remove the stud in the timing cover that was originally used on the top alternator nut.
- Install the alternator to the spacers as shown in diagram. Use #7 spacer (2.21") and the (1) 10mm x 80mm HHFCS bolt to space the top of alternator out. Install #8 spacer (1.64") and stock bolt to the back of the bottom mount.
****NOTE: Arrow has to face forward, towards radiator. Torque to 35 lbs-ft.**
- Install the billet tensioner plate to the factory tensioner pad on engine. Secure the bracket to the #8 spacer using the supplied (1) 10mm x 100mm HHFCS and the (1) 10mm flanged nut on the backside of spacer. Use the supplied 10mm x 60mm HHFCS bolt to secure tensioner bracket to engine block. Mount stock tensioner to bracket using stock bolt. Torque to 35 lbs-ft.
- Install new supplied belt to the Whipple crank pulley and alternator, by releasing tension from tensioner. Once installed, allow tensioner to take up slack.



13. Install the new supplied SC belt with the updated routing. Due to eliminating the adjustable idler, belt length is critical. Use the belt guide to help select the belt that works best for your application.



*****NOTE: IF THE 6-RIB BELT COMES OFF DURING RUNNING EASILY, THE ATI BALANCER IS NOT PRESSED ON ALL THE WAY***

BELT FITMENT GUIDE

GEN 2,3,4 10-RIB		
SC Pulley	Stock OD Balancer	20% Balancer
4.000"	69.0"	72.0"
3.875"	69.0"	72.0"
3.750"	68.6"	71.0"
3.625"	68.6"	71.0"
3.500"	68.0"	70.6"
3.375"	68.0"	70.2"
3.250"	67.5"	70.2"
3.125"	67.0"	69.4"
3.000"	67.0"	69.0"
2.875"	67.0"	69.0"
2.750"	66.5"	68.6"
2.625"	66.5"	68.6"
2.500"	66.1"	68.0"

GEN 5+ 10-RIB		
SC Pulley	Stock OD Balancer	20% Balancer
4.000"	66.1"	69.0"
3.875"	66.1"	68.6"
3.750"	65.8"	68.6"
3.625"	65.8"	68.0"
3.500"	65.5"	67.5"
3.375"	65.5"	67.5"
3.250"	64.9"	67.0"
3.125"	64.9"	67.0"
3.000"	64.3"	66.5"
2.875"	64.0"	66.1"
2.750"	64.0"	66.1"
2.625"	63.7"	65.8"
2.500"	63.7"	65.8"

BELTS AVAILABLE

GEN 2,3,4 BELT OPTIONS	
10-Rib (Stock OD)	10-Rib (20%)
K100694HD	K100720HD
K100694	K100714HD
K100686HD	K100710HD
K100680	K100706HD
K100677	K100702HD
K100677HD	K100694HD
K100675	K100694
K100675HD	K100690HD
K100672	K100686HD
K100670	K100680
K100670HD	K100677
K100665	K100677HD
K100665HD	
K100661HD	
K100658	
K100658HD	

GEN 5 BELT OPTIONS	
10-Rib (Stock OD)	10-Rib (20%)
K100661HD	K100694HD
K100658	K100694
K100658HD	K100686HD
K100655	K100680
K100655HD	K100677
K100649HD	K100677HD
K100643HD	K100675
K100640HD	K100675HD
K100637HD	K100672
	K100670
	K100670HD
	K100665
	K100665HD
	K100661HD
	K100658
	K100658HD
	K100655
	K100655HD