



HP TUNER **SMART ACCESS CABLE** INSTALLATION MANUAL

2018 AND UP DCX VEHICLES
5.7, 6.2, 6.4L

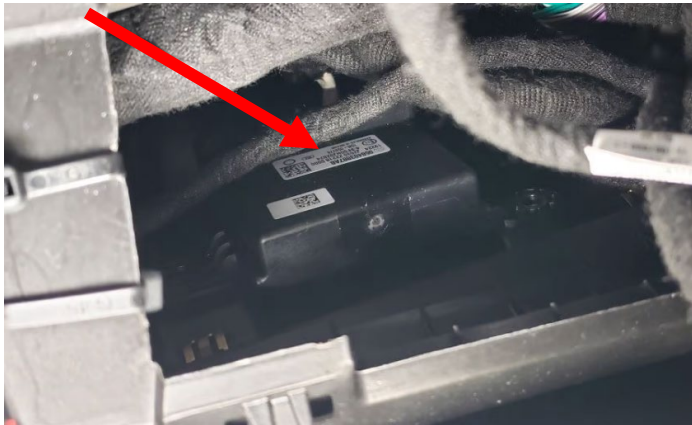
Before beginning installation, we encourage you to read this manual thoroughly before you begin any portion of the installation.

DISCLAIMER: The bypass needs to be removed prior to bringing vehicle into service or else dealer tools will not work.

1. (Challenger) Using a plastic trim tool, remove instrument cluster bezel. Remove the (4) radio mount bolts and move radio out of the way.



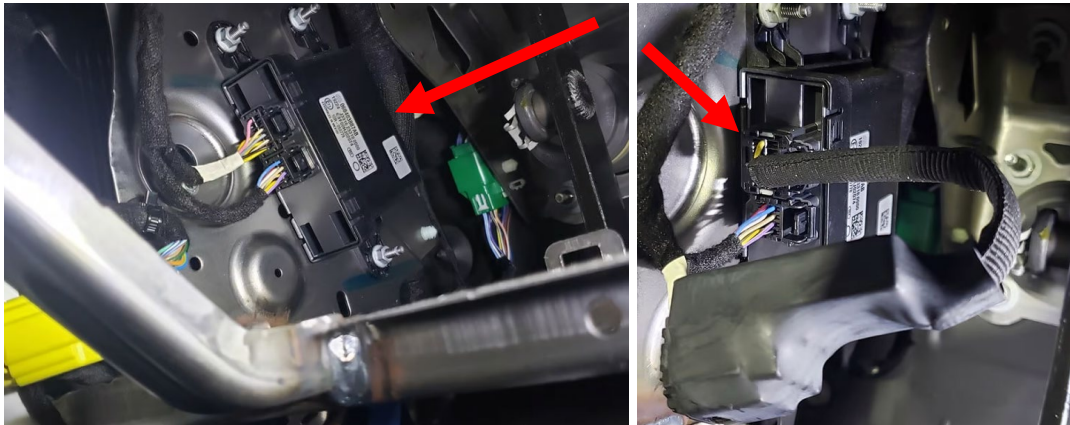
2. (Challenger) Locate the security module behind the radio. Remove the (3) screws to get access to the module. Connect HP Smart Access Cable to the correct connector (yellow and pink wires in this application).



3. (Charger) Use plastic trim tool to unclip and lower dash section under steering column.



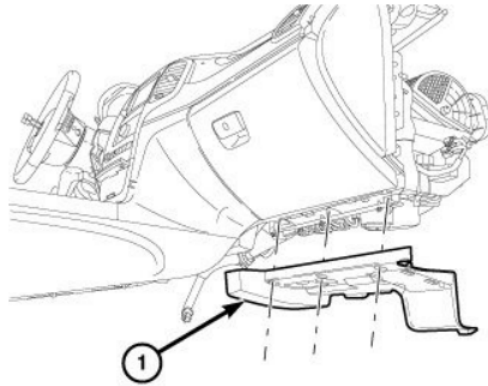
4. (Charger) Locate the security module above the OBD port. Connect HP Smart Access Cable to the correct connector (yellow and pink wires in this application).



5. (Ram) Under the dash, near the E-brake, locate the security module. Connect HP Smart Access Cable to the correct connector.



6. (Jeep Grand Cherokee/Durango) Remove the push pins on the passenger side carpet silencer panel. Connect HP Smart Access Cable to the correct connector.



7. Reverse the order to reassemble.