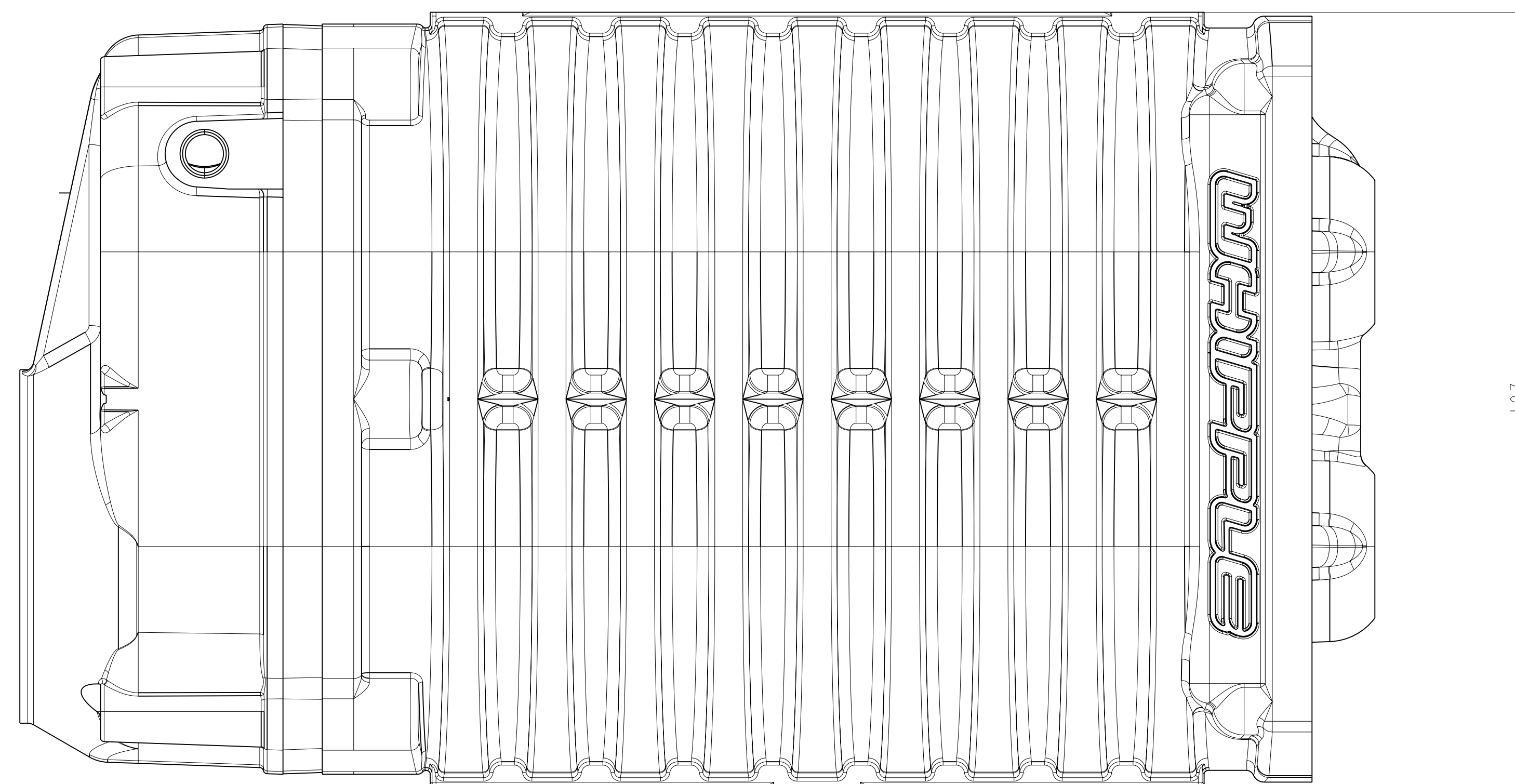
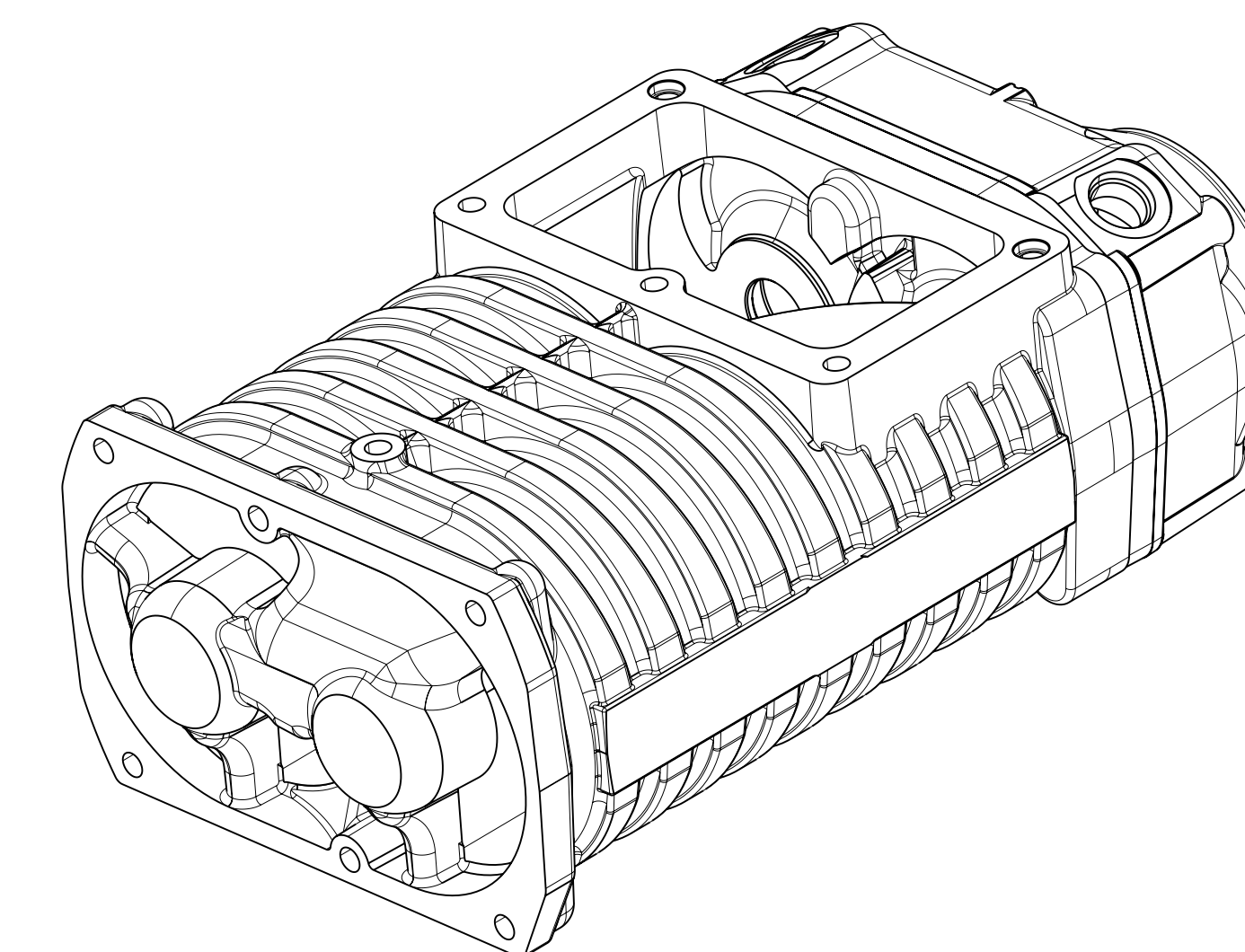
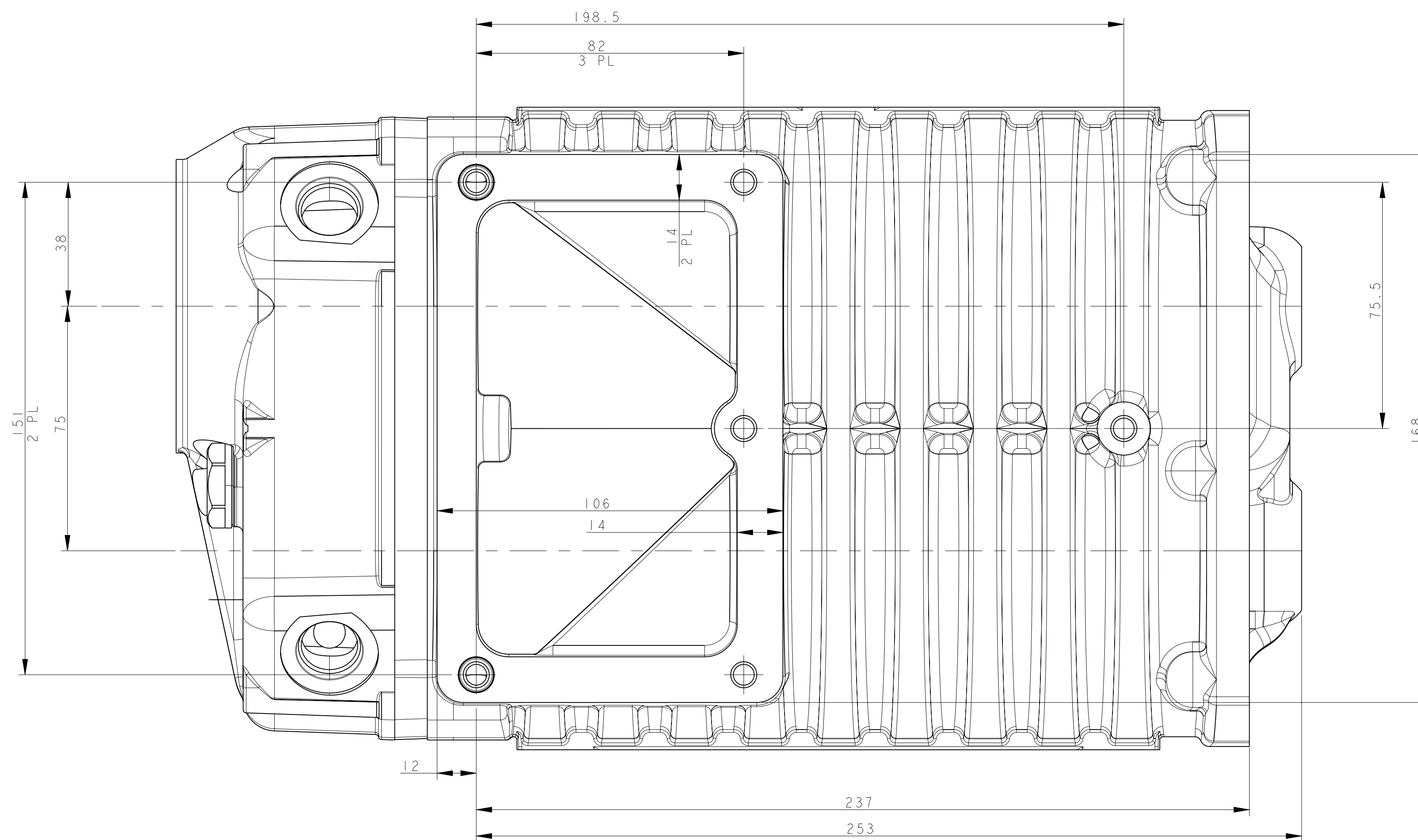
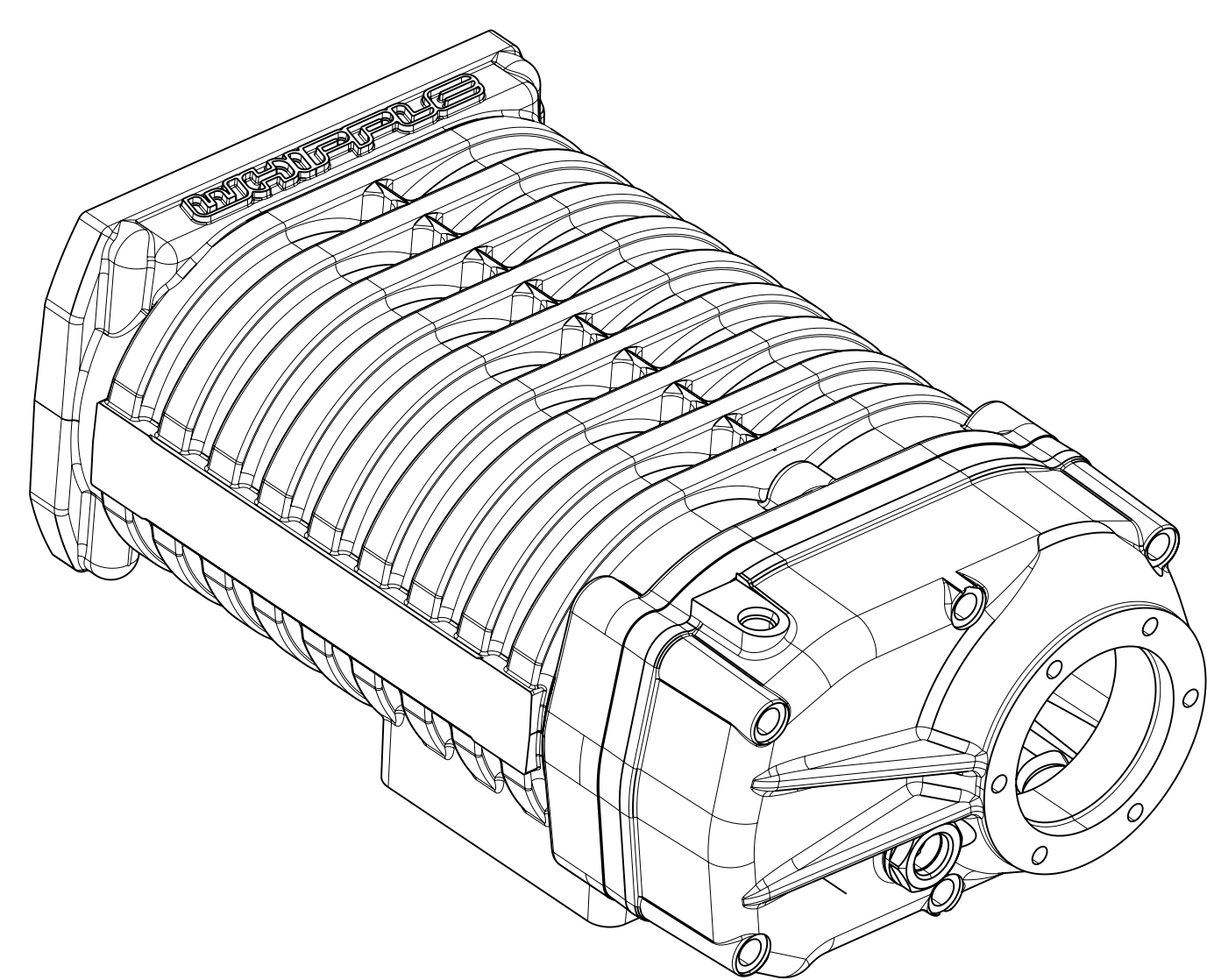
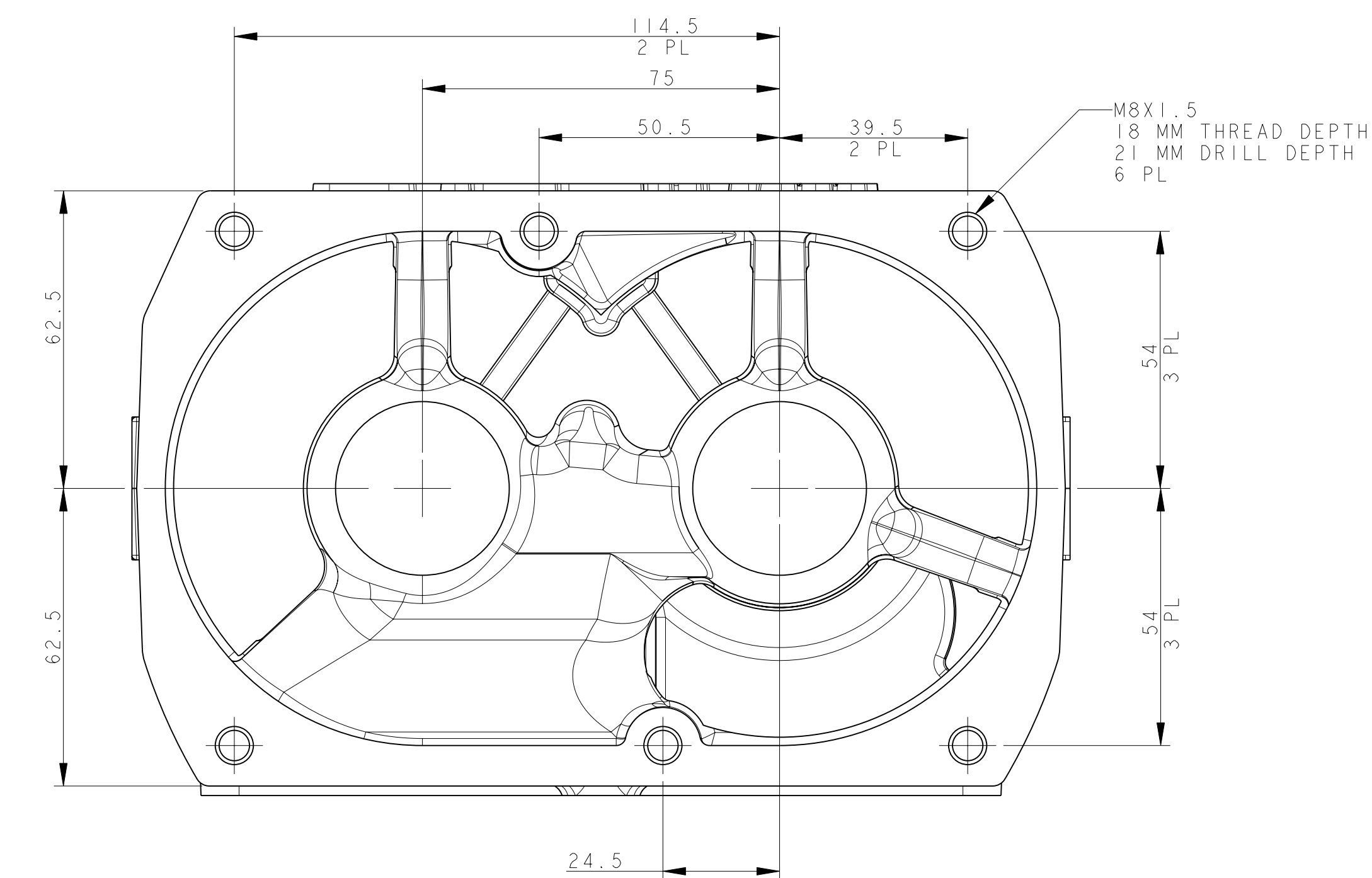
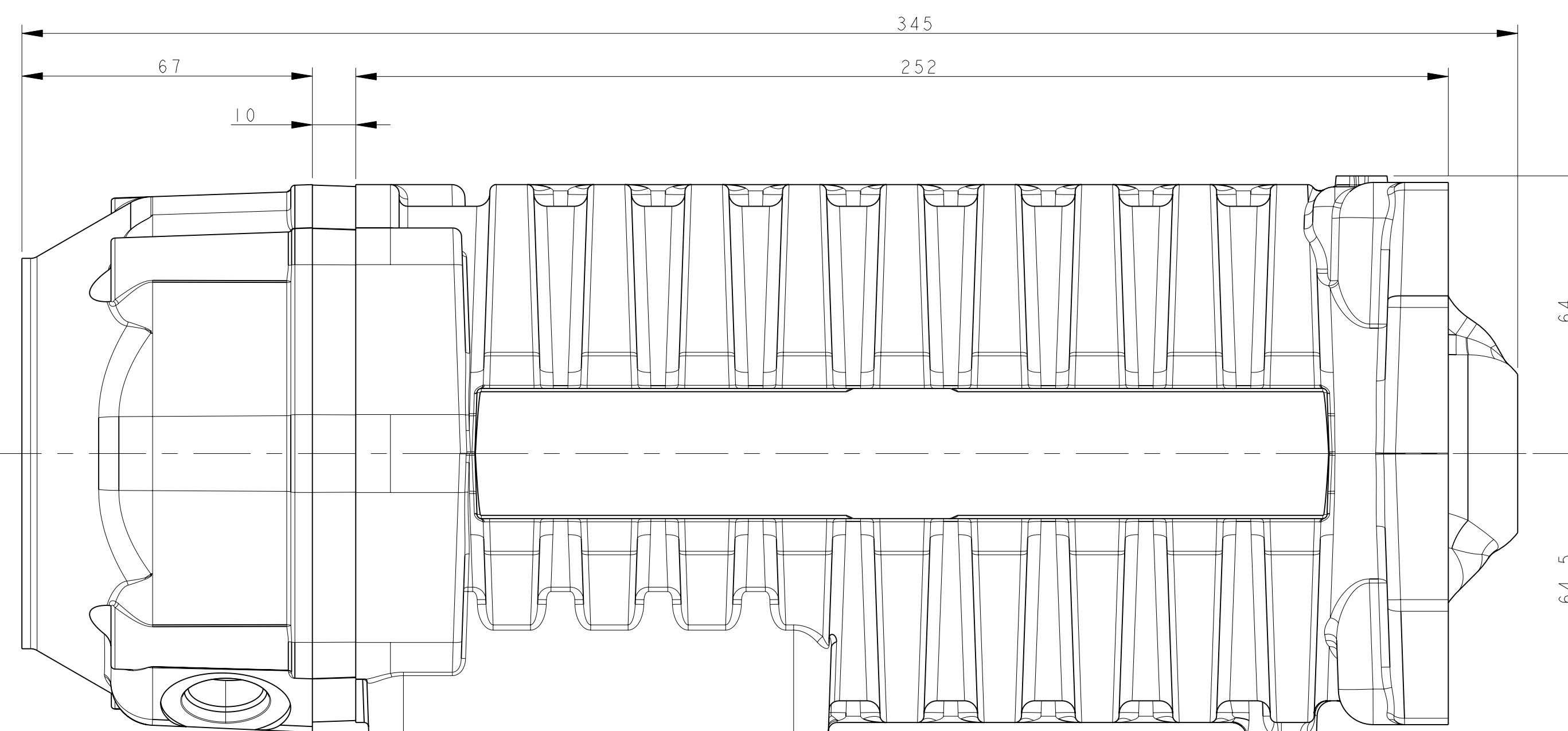
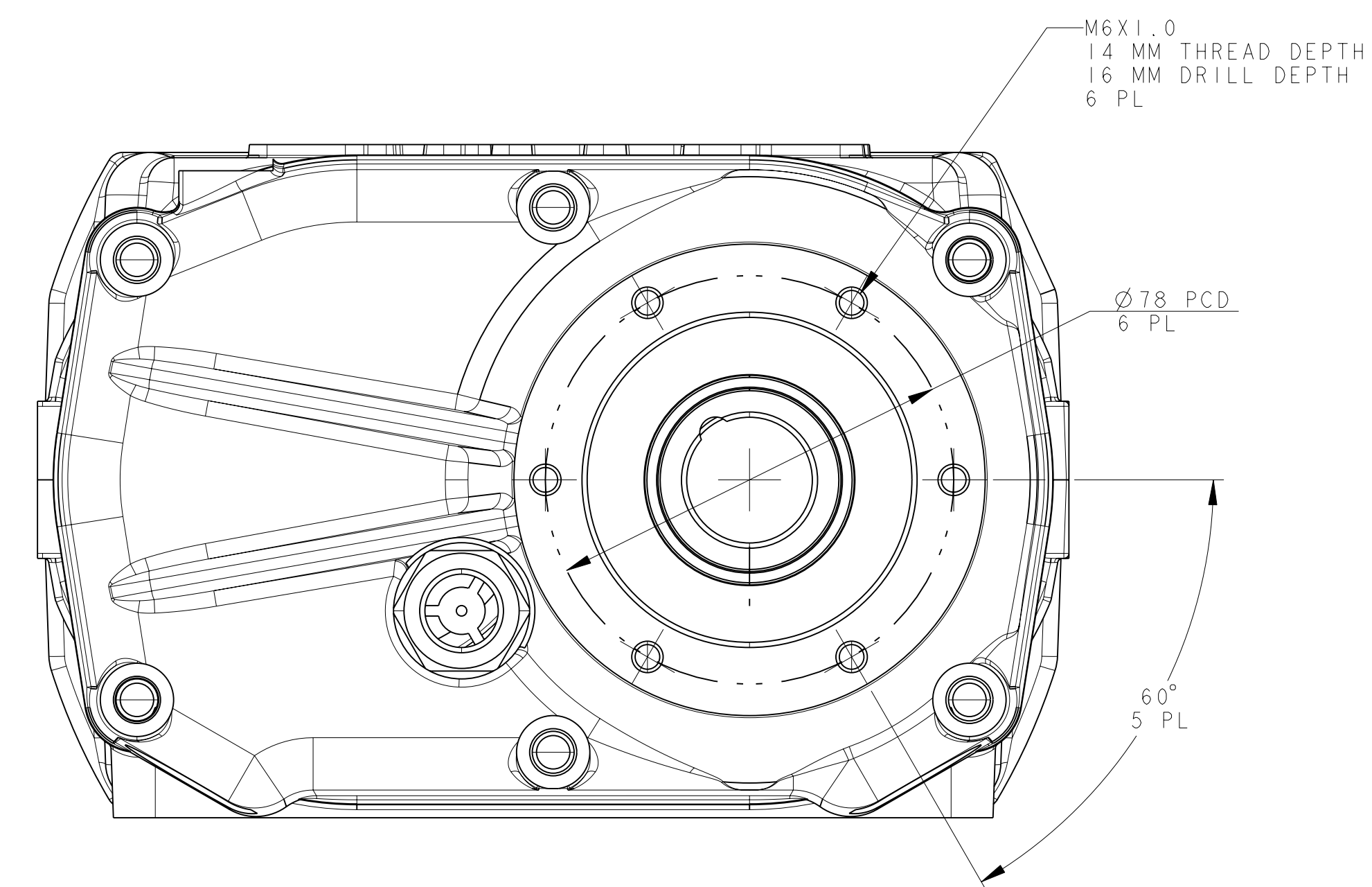


REVISIONS		DATE	DESCRIPTION



197



SURFACE FINISH (µm)							
Ra	1.25	1.25	1.25	1.25	1.25	1.25	1.25
Rz	12.5	12.5	12.5	12.5	12.5	12.5	12.5

THIRD ANGLE PROJECTION

UNLESS OTHERWISE SPECIFIED:  
1. DIMENSIONS ARE IN MILLIMETERS.  
2. SURFACE FINISH SHALL BE AS SHOWN ON DRAWING.  
3. DIMENSIONS APPLY AFTER FINISHING.  
4. HIDDEN DIMENSIONS SHALL BE AS SHOWN ON DRAWING.

OPEN TOLERANCES:  
+ 0.10mm - 0.05mm  
+ 0.20mm - 0.15mm  
+ 0.30mm - 0.25mm  
+ 0.40mm - 0.35mm  
+ 0.50mm - 0.45mm  
+ 0.60mm - 0.55mm

ITEM NO.	DESCRIPTION	DATE
1	DESIGN	05/16/07

MATERIAL: **ALUMINUM**  
TREATMENT: **ANODIZED**

DATE: 05/16/07  
DRAWN BY: Y. HOFMAN

TITLE: **SUPERCHARGER, W140AX WHIPPLE SUPERCHARGERS**  
DRAWING NO.: **WHIPPLE\_W140**

SCALE: 1:0 SHEET: 1 OF 1