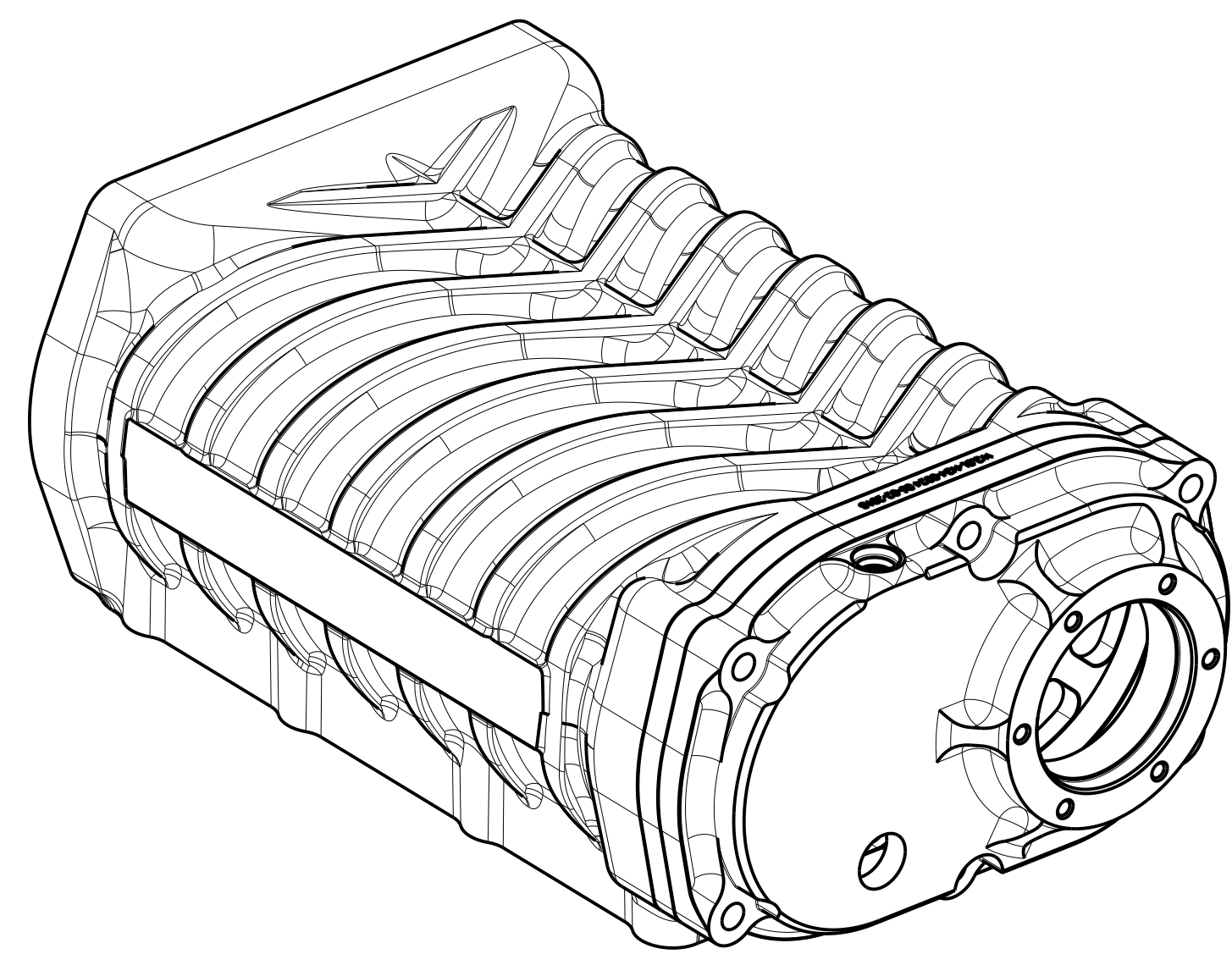
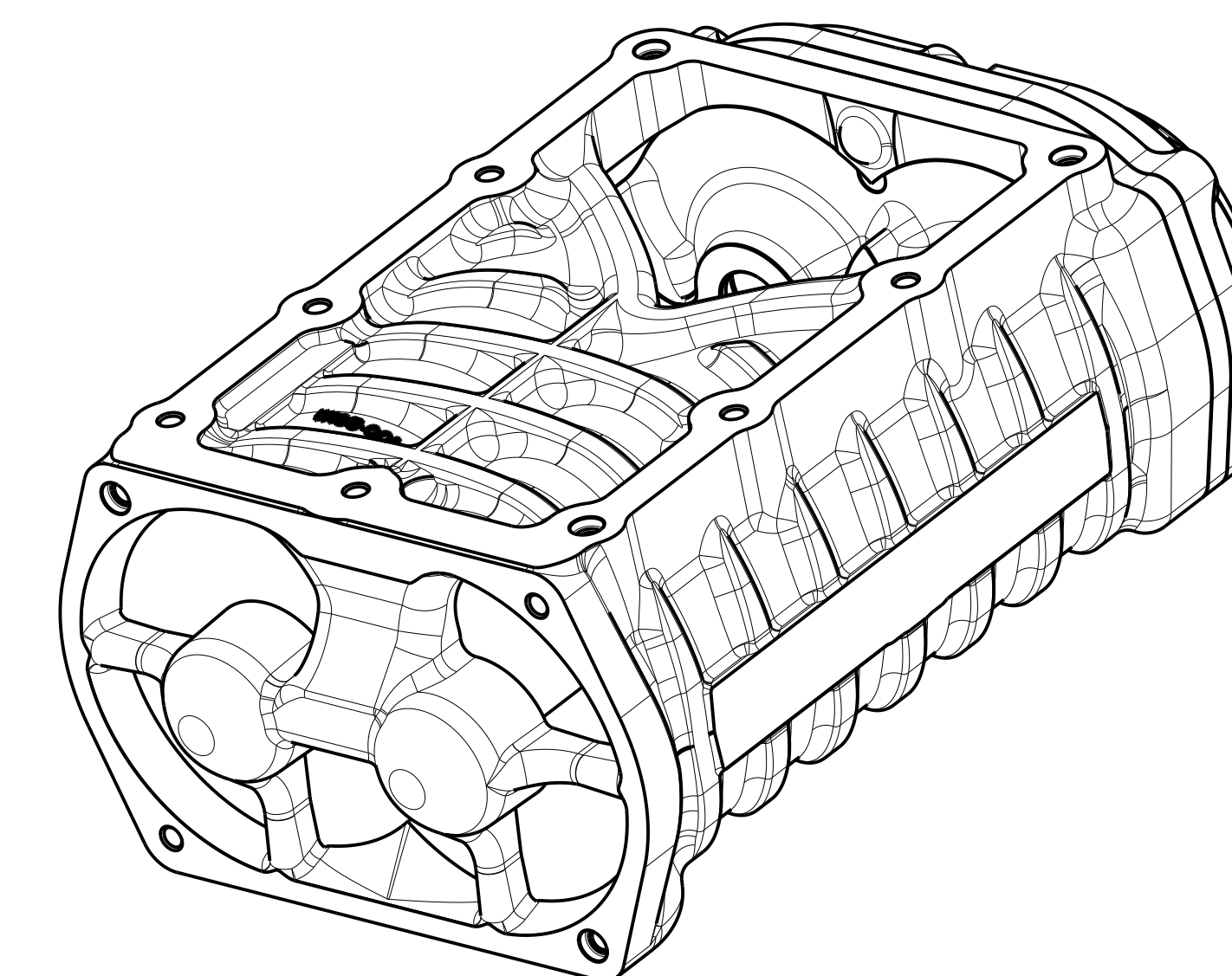
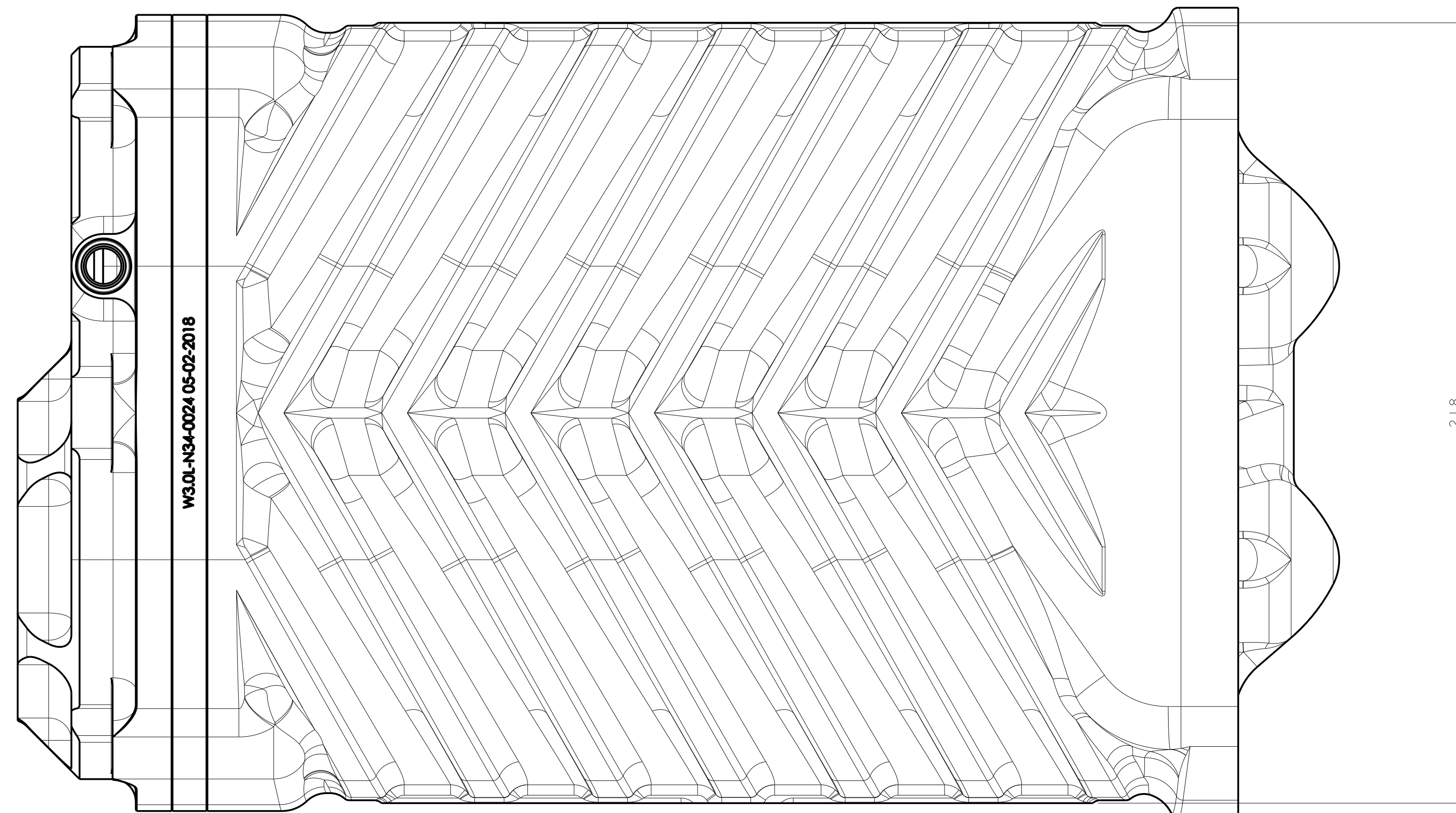


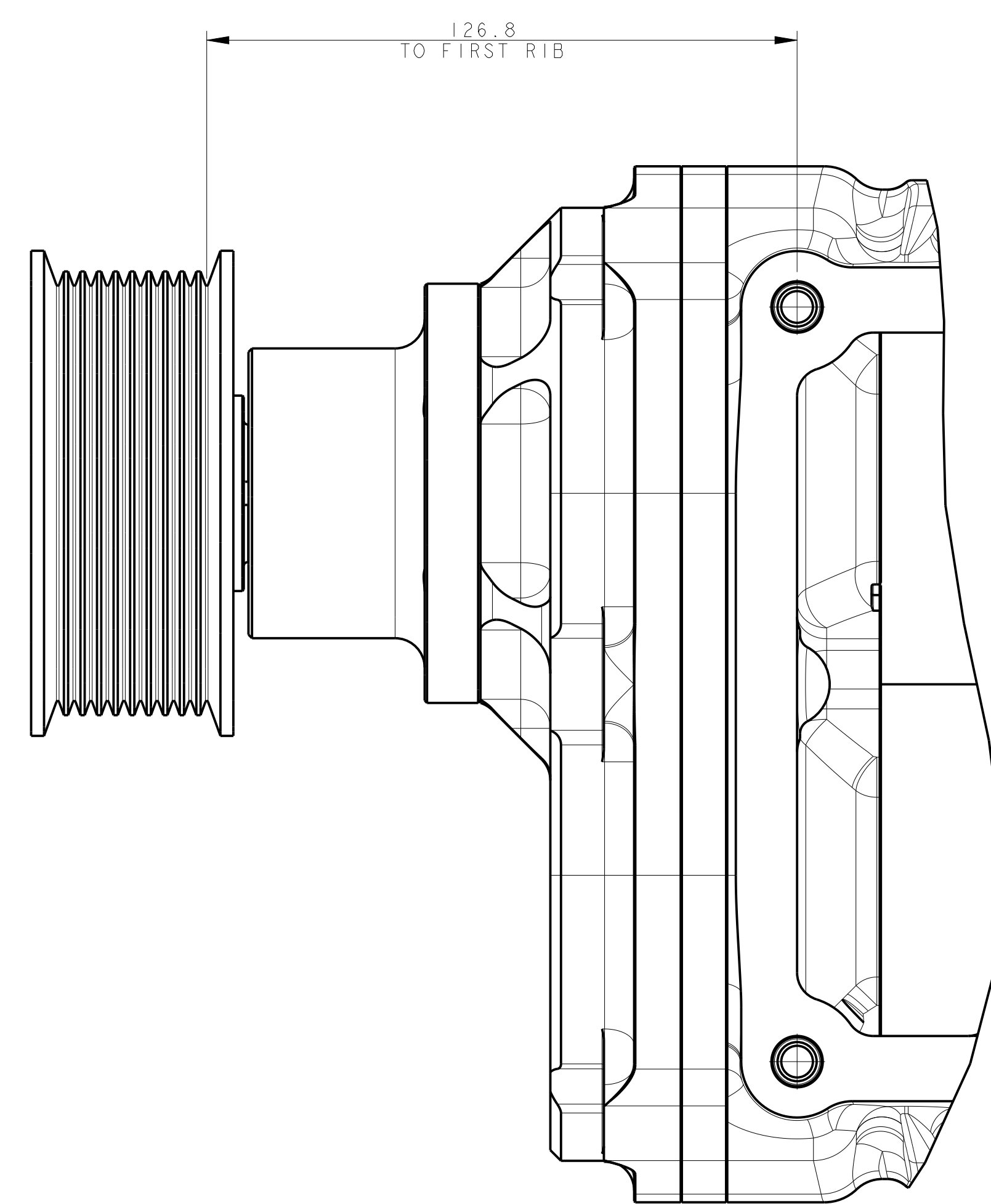
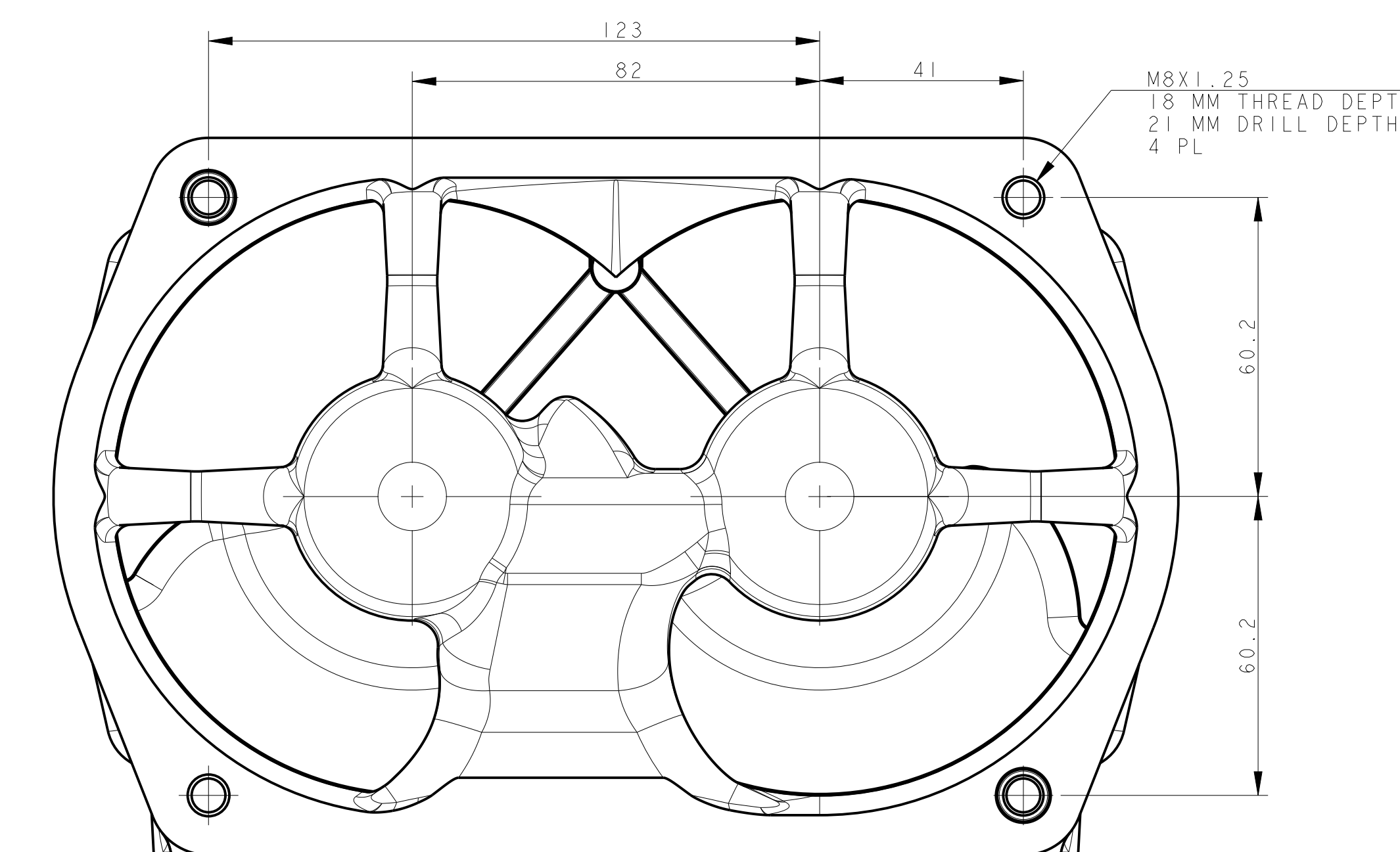
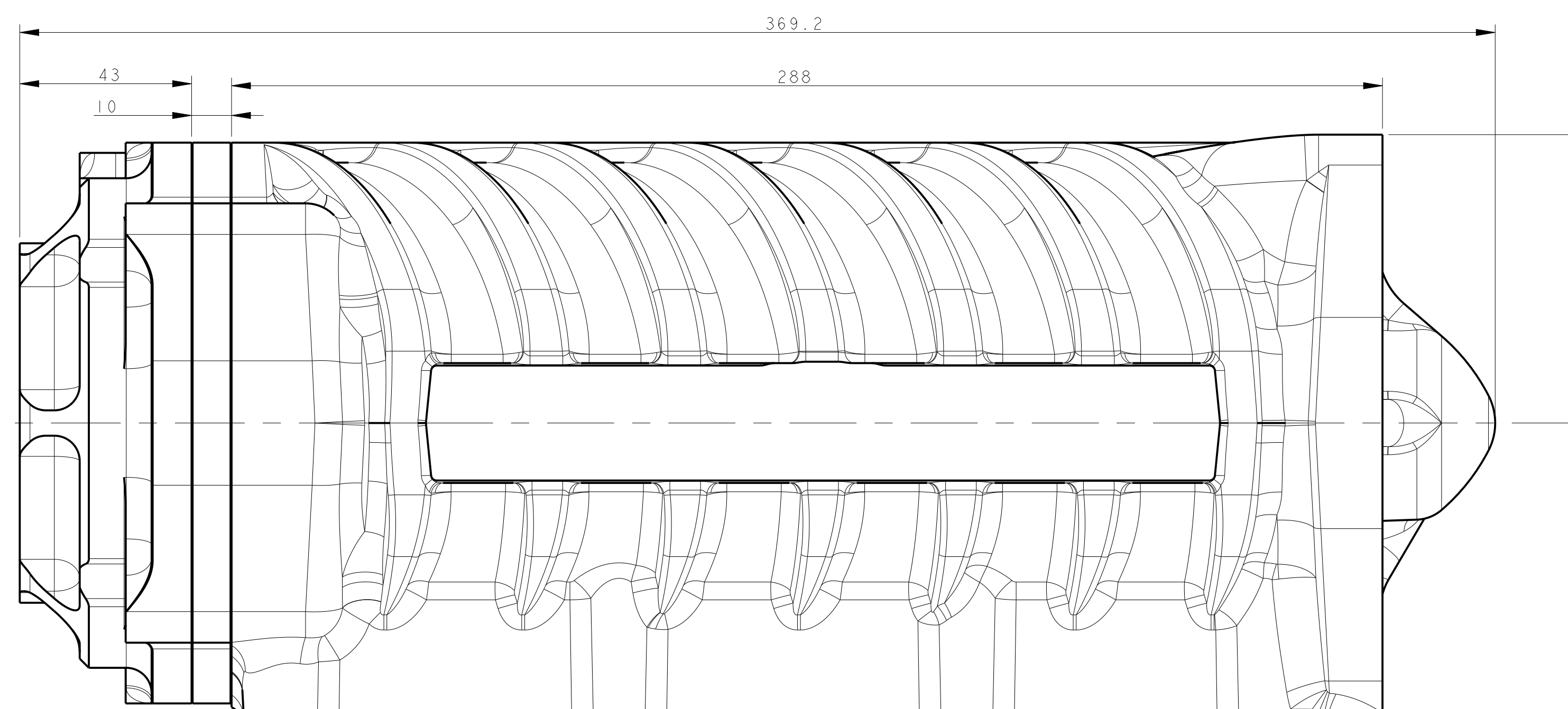
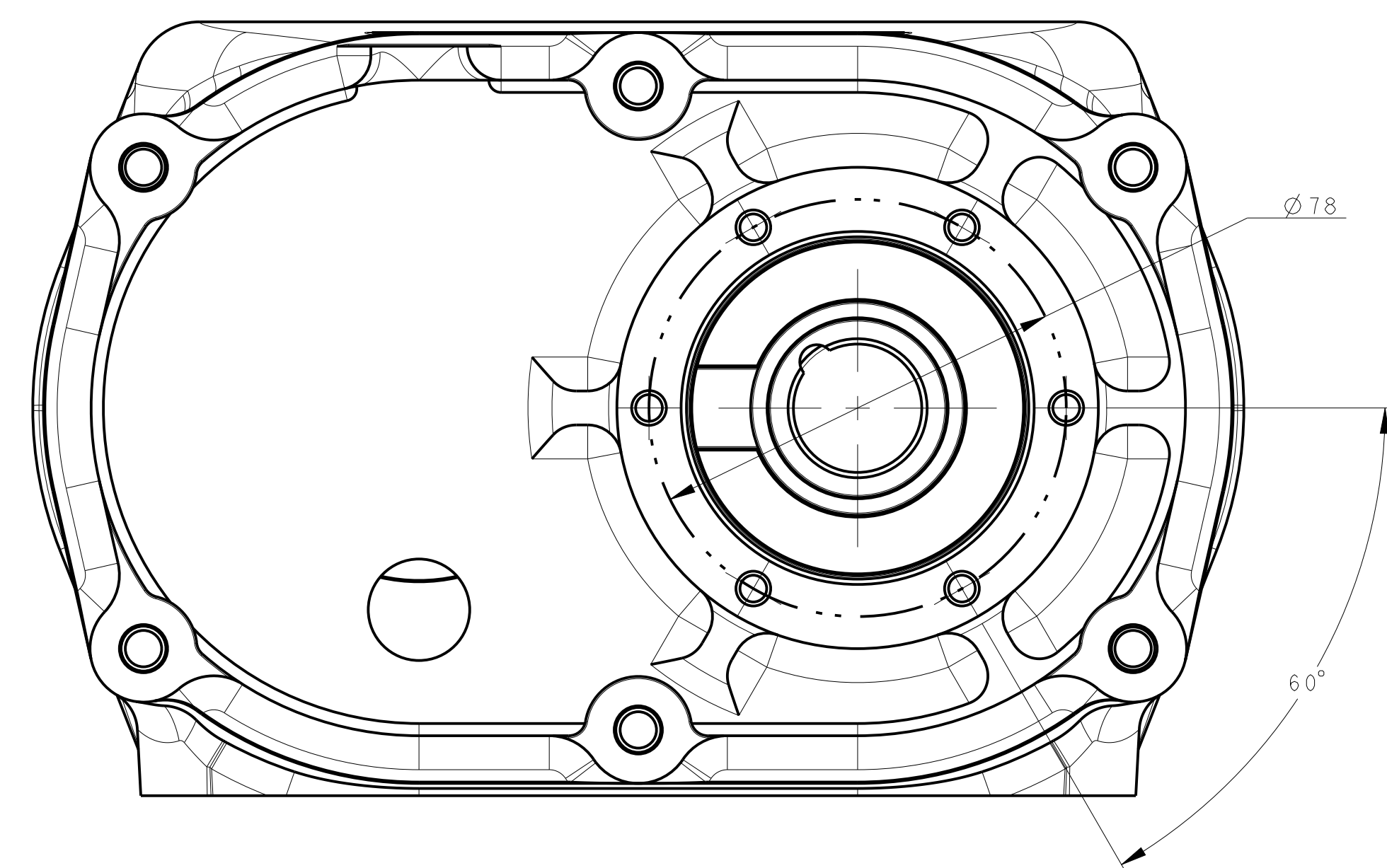
REV. NO.		DESCRIPTION	DATE	BY
1				
2				



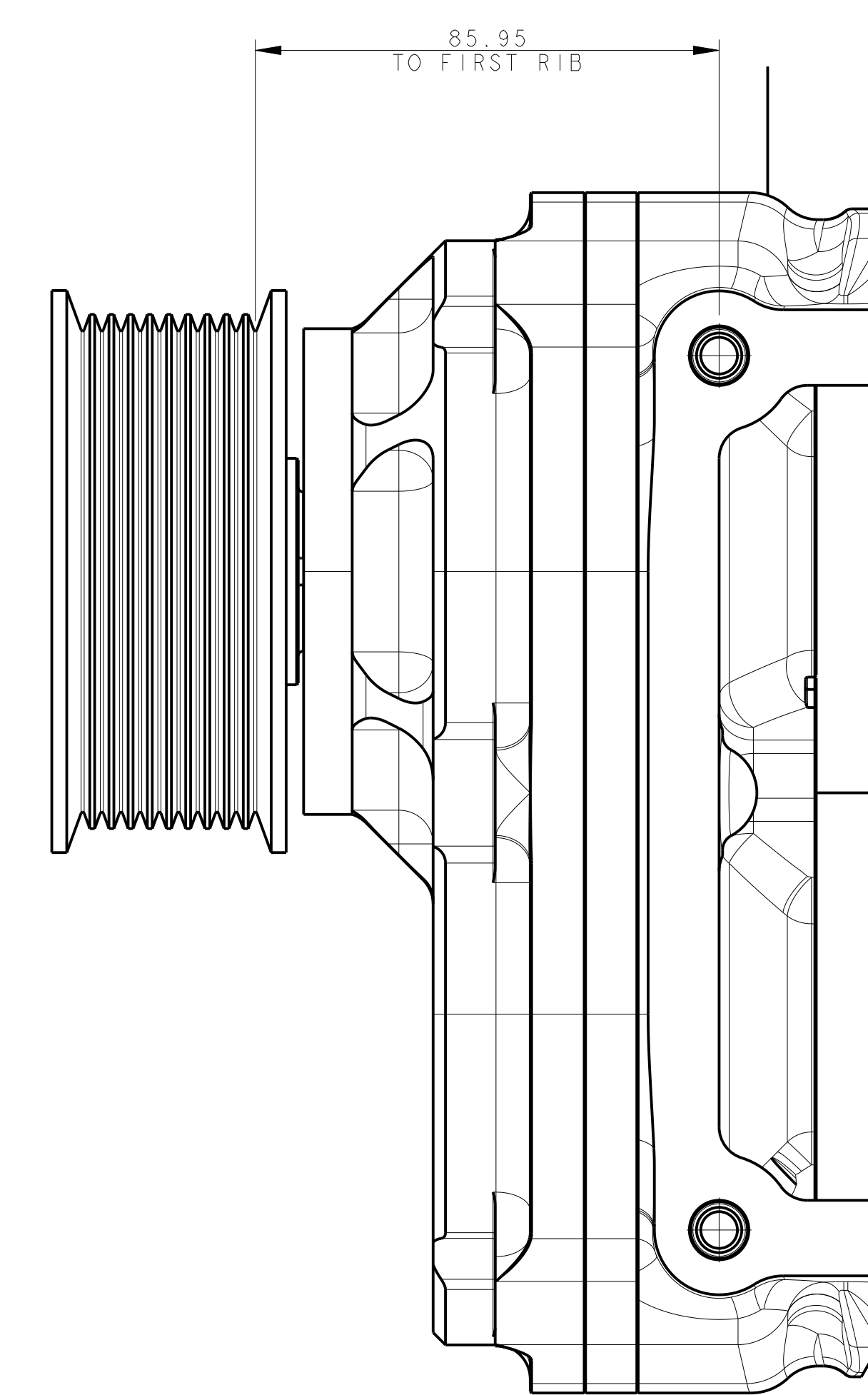
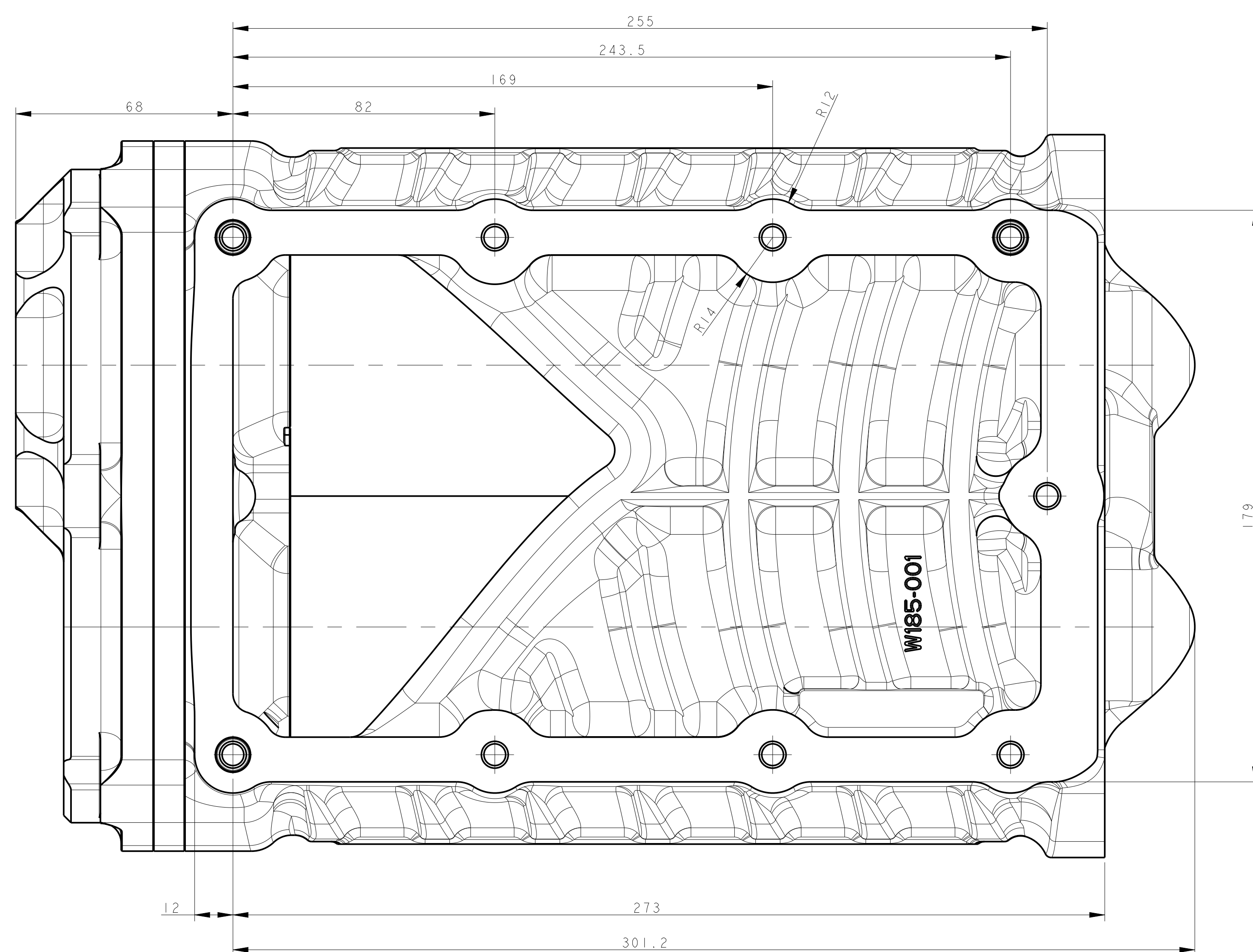
SCALE 0.500



SCALE 0.500



2.46" DRIVE



DIRECT DRIVE

REV. NO.		DESCRIPTION	DATE	BY
3	1	WHL-1834-0024		
2	1	W185-024		
1	1	WHL-1834-0024		

THIRD ANGLE PROJECTION ALL DIMENSIONS ARE IN MM BREAK-OUT HOLES AND CHAMFER EDGES DIMENSIONS APPLY AFTER FINISHING SURFACE PREPARATION	SURFACE PREPARATION AFTER SURFACE PREPARATION FINISHING METHOD PART NO. LOT NO. SERIAL NO. TEST HEIGHT TEST DEPTH	MATERIAL WHIPPLE SUPERCHARGERS DATE: 05/03/19 DRAWN BY: Y. HOFMAN SCALE: 1:0 SHEET: 01
--	---	---